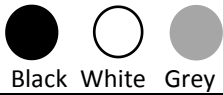
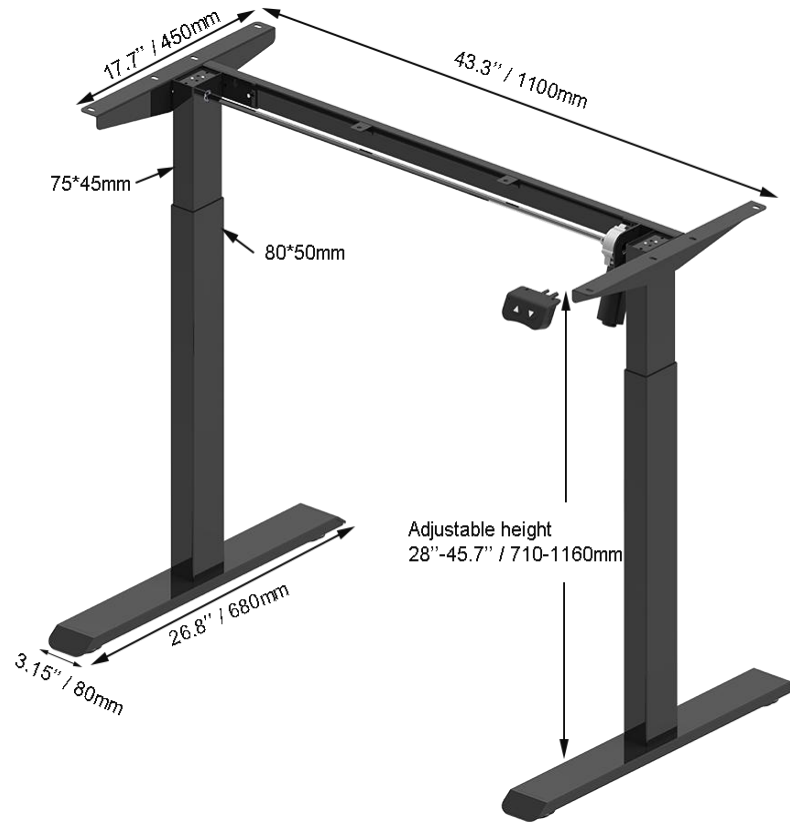



## UL1-06 Specifications



Black White Grey

|                 |                        |                            |                               |
|-----------------|------------------------|----------------------------|-------------------------------|
| Item No:        | UL1-06                 |                            |                               |
| Height range:   | 710~1160mm (28"~45.7") | Input voltage:             | AC 110V-220V                  |
| Width range:    | 1100mm (43.3")         | Output voltage:            | DC 24V                        |
| Max.speed:      | 22mm/s                 | Duty cycle:                | Max.10%                       |
| Noise:          | ≤50dB                  | Ambiance temperature:      | -25℃~45℃                      |
| Load capacity:  | 80kg(176lbs)           | IP grade:                  | IP42                          |
| Material:       | Cold rolled steel      | G.W.:                      | 21kg                          |
| Motor quantity: | 1                      | Recommended tabletop size: | (1200-1400) mm * (600-700) mm |

|               |   |   |
|---------------|---|---|
| Packing info: | One set per carton, the dimension is 1080(L)*330(W)*143(H)mm<br>20GP/40GP/40HQ: 480PCS/992PCS/1132PCS |  |
|---------------|---|---|

|           |  |
|-----------|--|
| Function: | <ol style="list-style-type: none"> <li>1. Soft Start/Stop Feature</li> <li>2. Anti Collision Feature</li> <li>3. Overheat/Overload Protection</li> <li>4. Leg Unbalance Protection</li> <li>5. With USB Charging Port</li> </ol> |
|-----------|--|

|                          |  |
|--------------------------|--|
| Control box and handset: |  |
|--------------------------|--|