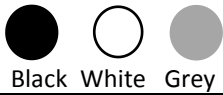
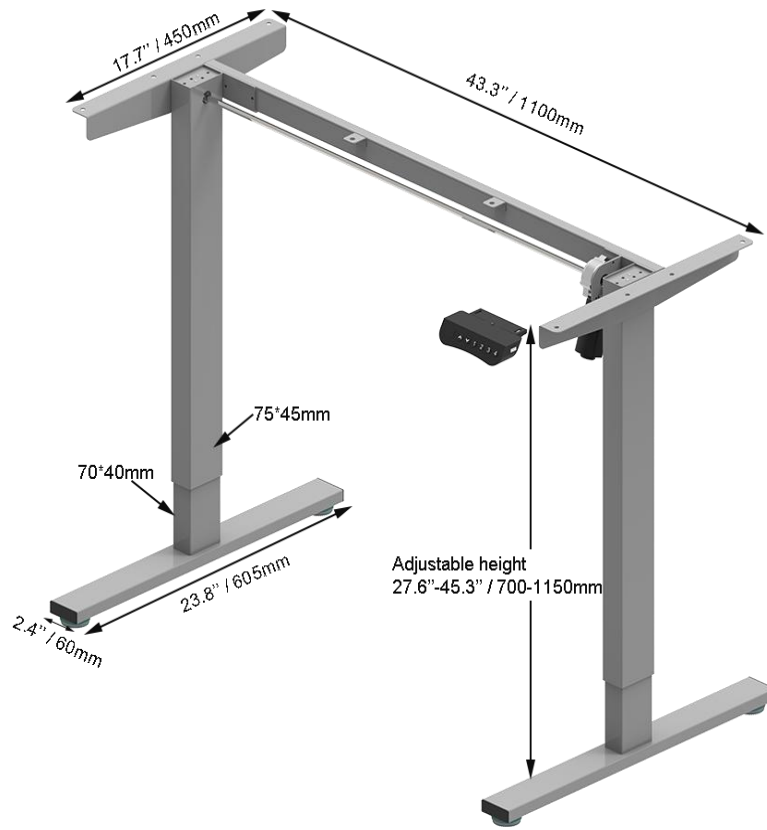



## UL2-02 Specifications



Item No:	UL2-02		
Height range:	700-1150mm (27.6"~45.3")	Input voltage:	AC 110V-220V
Width range:	1100mm (43.3")	Output voltage:	DC 24V
Max.speed:	22mm/s	Duty cycle:	Max.10%
Noise:	≤50dB	Ambiance temperature:	-25℃~45℃
Load capacity:	80kg(176lbs)	IP grade:	IP42
Material:	Cold rolled steel	G.W.:	20.3kg
Motor quantity:	1	Recommended tabletop size:	(1200-1400) mm * (600-700) mm
Packing info:	One set per carton, the dimension is 1080(L)*330(W)*143(H)mm 20GP/40GP/40HQ: 480PCS/992PCS/1132PCS		
Function:	<ol style="list-style-type: none"> <li>1. Soft Start/Stop Feature</li> <li>2. Anti Collision Feature</li> <li>3. Metric and Inch Switch</li> <li>4. Four Position Height Memory</li> <li>5. Overheat/Overload Protection</li> <li>6. Leg Unbalance Protection</li> <li>7. With USB Charging Port</li> </ol>		
Control box and handset:	