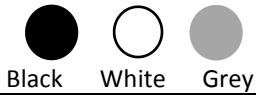
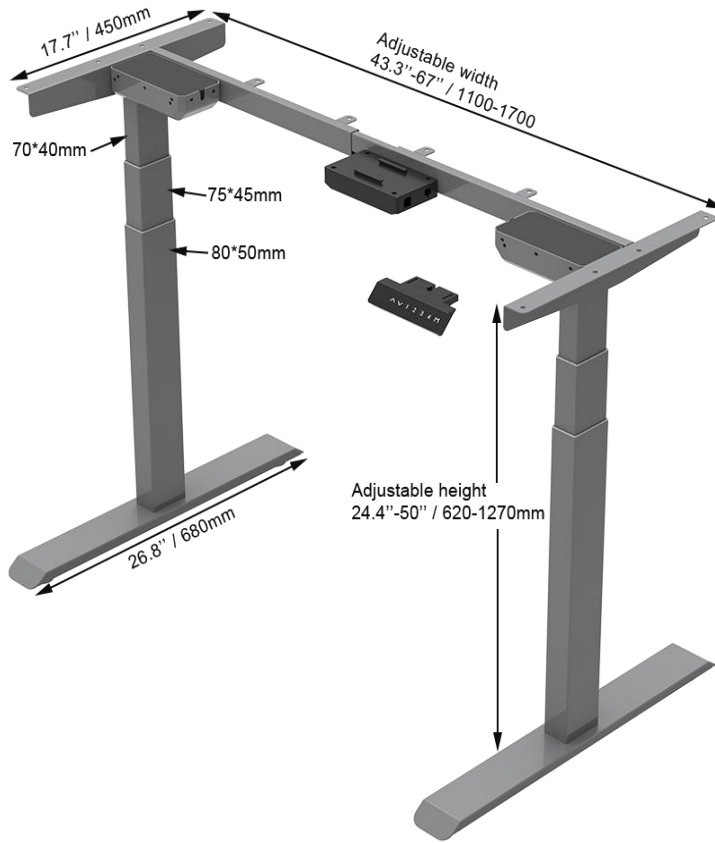
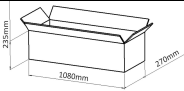


UP1A-02 Specifications



Item No:	UP1A-02		
Height range:	620-1270mm (24.4"~50")	Input voltage:	AC 110V-220V
Width range:	1100-1700mm (43.3"~67")	Output voltage:	DC 24V
Max.speed:	35mm/s	Duty cycle:	Max.10%
Noise:	≤50dB	Ambiance temperature:	-25°C~45°C
Load capacity:	120kg(265lbs)	IP grade:	IP42
Material:	Cold rolled steel	G.W.:	26kg
Motor quantity:	2	Recommended tabletop size:	(1200-1800) mm * (600-850) mm
Packing info:	One set per carton, the dimension is 1080*270*235mm 20GP/40GP/40HQ: 340PCS/700PCS/860PCS 		
Function:	<ol style="list-style-type: none"> 1. Soft Start/Stop Feature 2. Anti Collision Feature 3. Metric and Inch Switch 4. Four Position Height Memory 5. Overheat/Overload Protection 6. Leg Unbalance Protection 7. Setting the Upper & Lower Height Limits 8. Sedentary Reminder 		
Optional:	With Bluetooth APP Control Functions		
Control box and handset:	