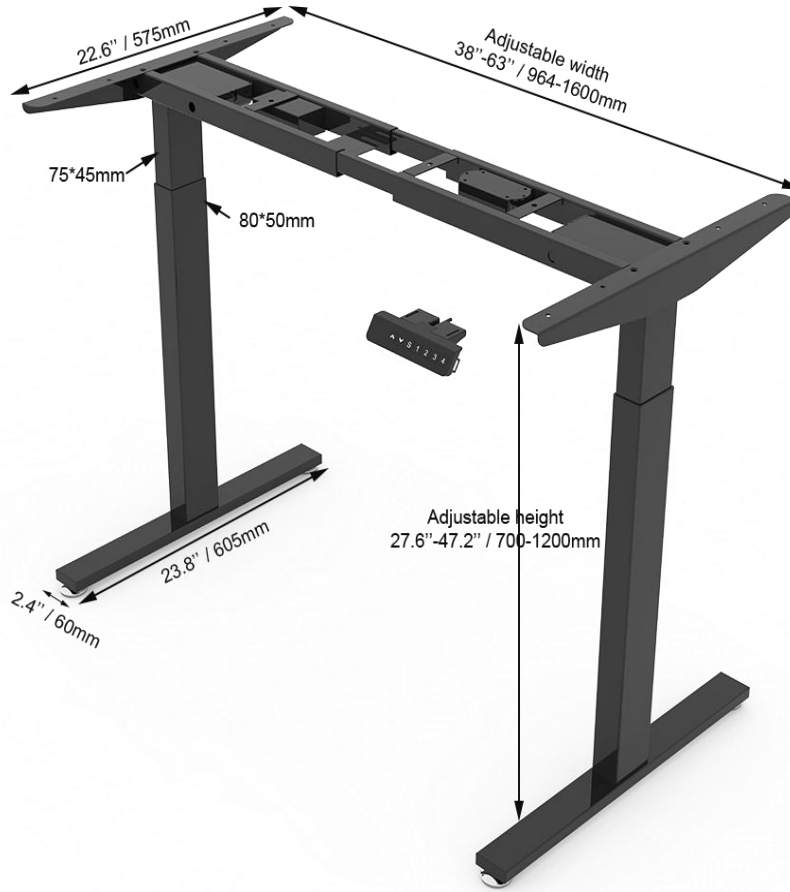
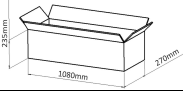


## UP1B-10 Specifications



Item No:	UP1B-10		
Height range:	700-1200mm (28"~47.2")	Input voltage:	AC 110V-220V
Width range:	964~1600mm (38"~63")	Output voltage:	DC 24V
Max.speed:	35mm/s	Duty cycle:	Max.10%
Noise:	≤50dB	Ambiance temperature:	-25℃~45℃
Load capacity:	100kg/220IBS	IP grade:	IP42
Material:	Cold rolled steel	G.W.:	24kg
Motor quantity:	2	Recommended tabletop size:	(1200-1800) mm * (600-850) mm
Packing info:	One set per carton, the dimension is 1080*270*235mm 20GP/40GP/40HQ: 340PCS/700PCS/860PCS		
Function:	<ol style="list-style-type: none"> <li>1. Soft Start/Stop Feature</li> <li>2. Anti Collision Feature</li> <li>3. Metric and Inch Switch</li> <li>4. Four Position Height Memory</li> <li>5. Overheat/Overload Protection</li> <li>6. Leg Unbalance Protection</li> <li>7. With USB Charging Port</li> <li>8. Sedentary Reminder</li> </ol>		
Control box and handset:	